

WE ARE...

THE
SMURFS™

The logo for 'The Smurfs' features the word 'SMURFS' in large, white, 3D block letters with a blue shadow. Above the 'M' and 'U' is the word 'THE' in smaller, white, 3D block letters with a blue shadow. A small 'TM' trademark symbol is located at the bottom right of the 'S'.

Mezel Mods

Does anyone like playing on pinball machines? Or maybe playing video games. Playing video games isn't for everyone but Mezel Mods makes it super fun! If your still confused Mezel Mods works with pinball machines. They make pinball machine accessories. Now that you know that let's get to the presentation!



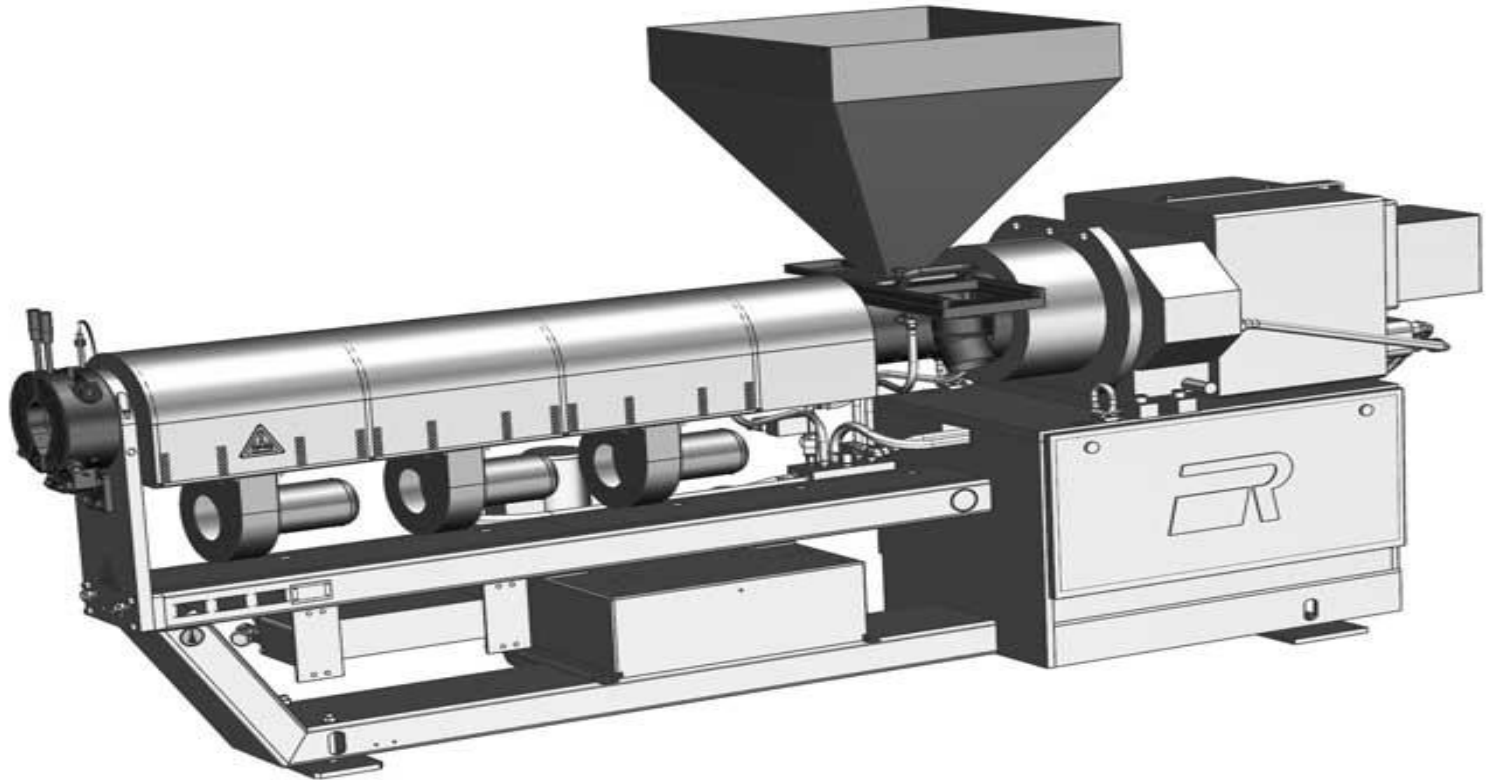
MEZEL MODS

Wants to turn find alternative ways to dispose of plastic waste (filament), and maintain quality/color of products in adopting new reused/recycled materials.

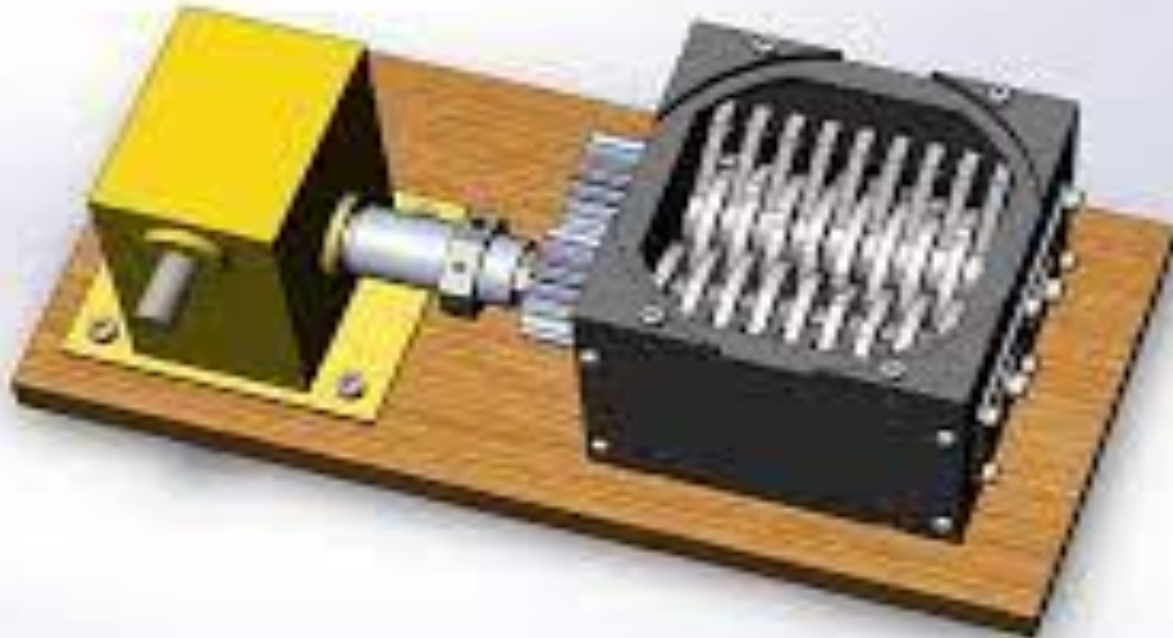
Our Solution(s)!

Our first solution is to get recycled plastic and turn it into 3D printer filament. To do this, they will need an extruder, a shredder, and preferably a spooler. Since most of the machinery is very expensive, they could start a campaign and GoFundMe as it's for a good cause, helping the environment. The summarized process of turning the recycled plastic into filament is; 1. Prepare the plastic to be grounded, 2. Grind plastic into pieces, 3. Dry the plastic, 4. Fine grinding, 5. Build the Arduino Controlled Cheap Extrusion Line, 6. Use the extrusion line, 7. Filament compositing, and last and not least print your recycled 3d filament!!

The Extruder



The Shredder



The Spooler



GoFundMe

The reason we decided on a GoFundMe instead of a Charity or Donation Stand is because GoFundMe's are for things like the environment or people doing things but just are not able to do it anymore because it is not affordable. GoFundMe's have helped many people accomplish their dreams.

The logo features a stylized green figure with arms raised, positioned above the text 'me' in the word 'GoFundMe'.
go fund me

THIS PRESENTATION WAS CREATED BY:

**THE
SMURFS**

The logo for 'The Smurfs' features the word 'SMURFS' in large, white, 3D block letters with a blue outline. The word 'THE' is written in smaller, white, 3D block letters above the 'S' and 'M'. The entire logo is set against a white background.

TM

Thank you

Thank you for reading our presentation!!